

● ROCH Callipers with Very Long Measuring Jaws

- Rounded measuring faces for internal dimensions
- With fine adjust device



Factory standard



Satin-chrome scale bakground; main scale slightly set back for wear protection



Hardened stainless steel



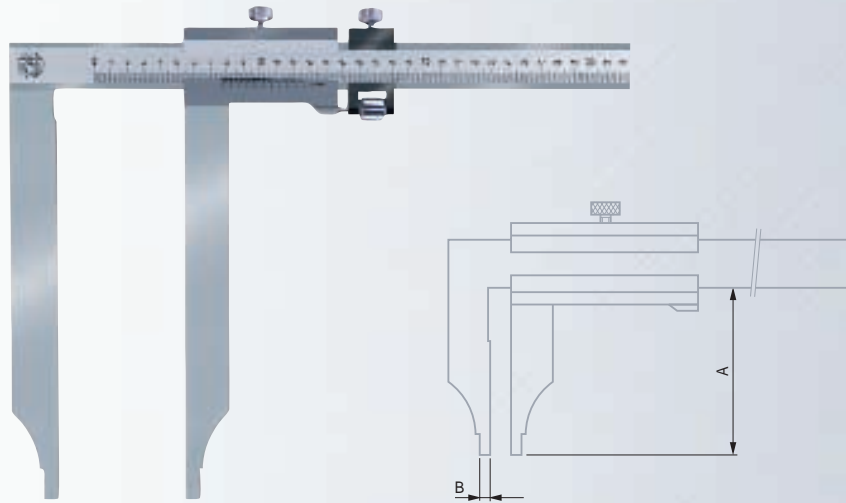
Wooden case



Identification number



Declaration of conformity



No	mm	mm	Amm	Bmm
05.17921	0 ÷ 500	0,02	250	10
05.17931	0 ÷ 800	0,02	300	10
05.17941	0 ÷ 1000	0,02	300	10



NF E 11-091



Satin-chrome scale bakground; main scale slightly set back for wear protection



Hardened stainless steel



Wooden case

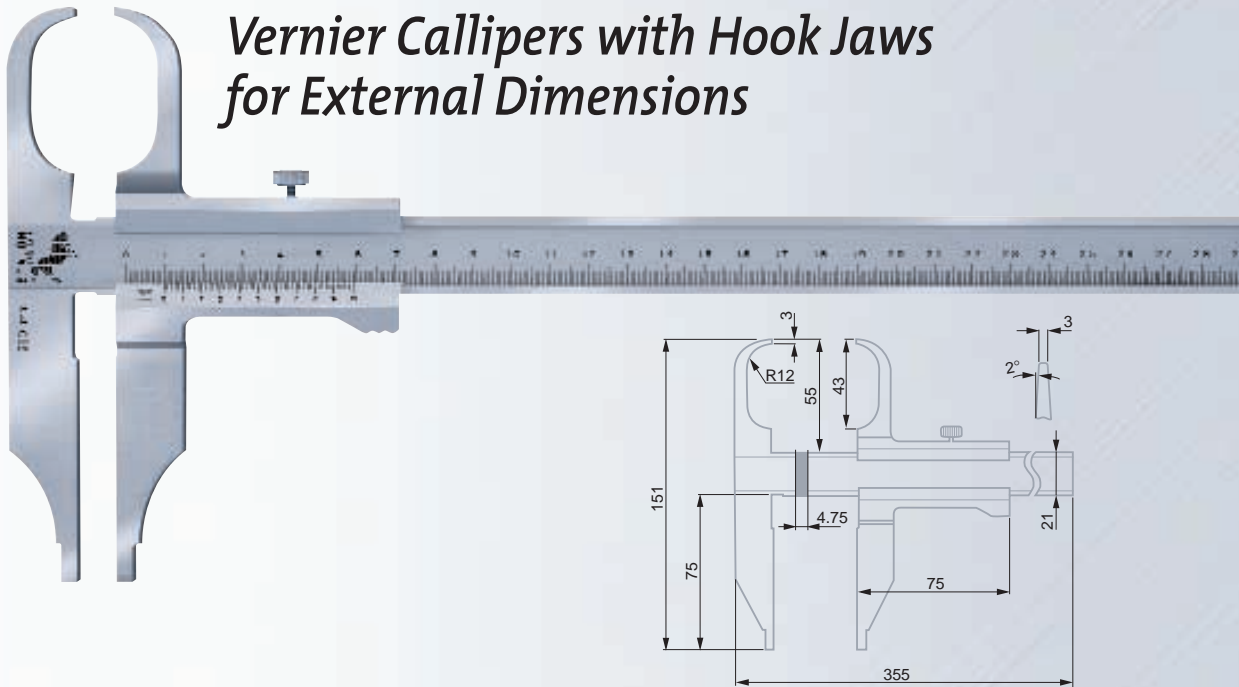


Identification number



Declaration of conformity

● ETALON[®] and ROCH Vernier Callipers with Hook Jaws for External Dimensions



No	ETALON	No	mm	mm	in	in
85.10911	05.1710911	0 ÷ 250	0,02	–	–	–
85.10912		0 ÷ 250	0,02	0 ÷ 10	0.001	