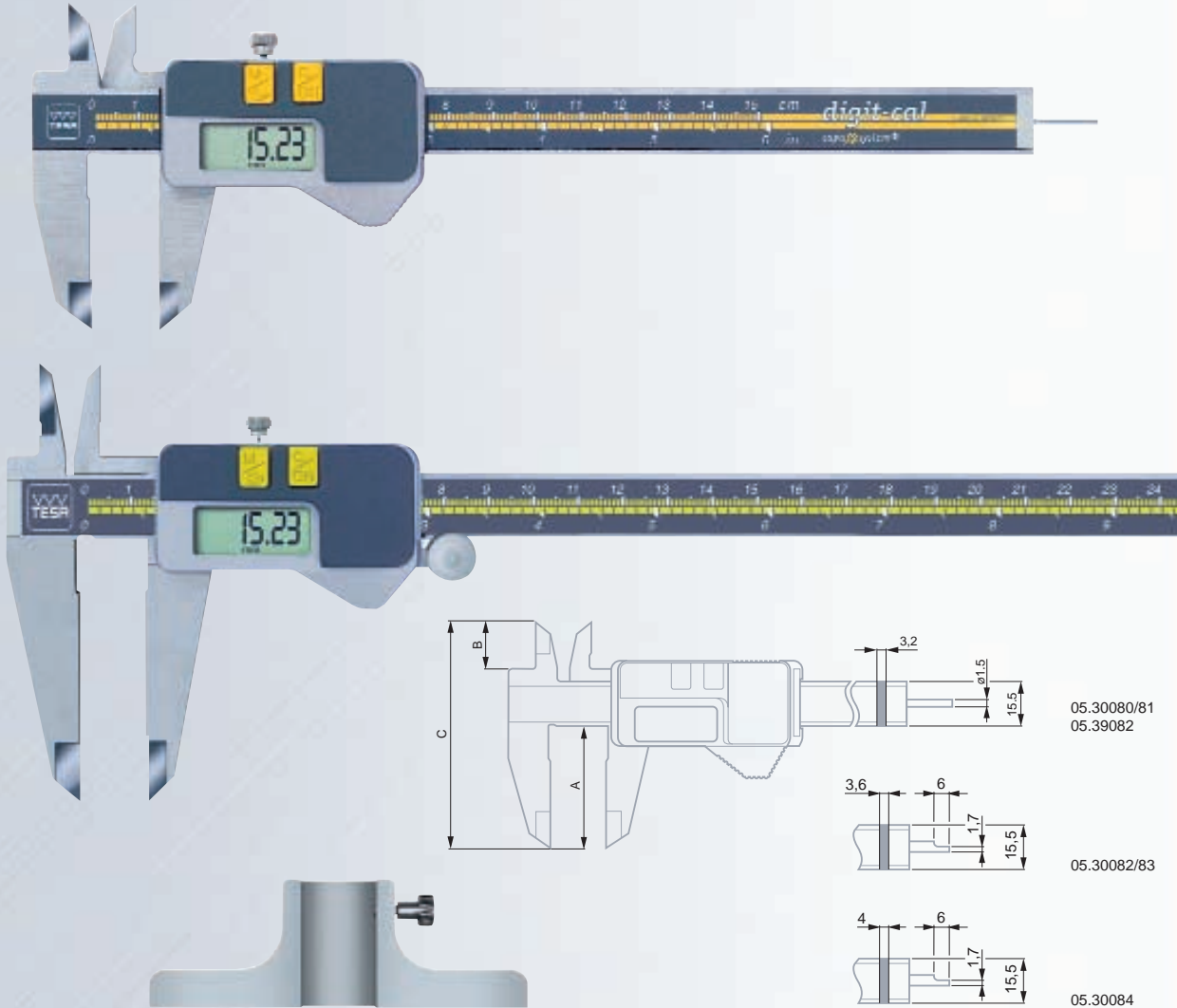


TESA® DIGIT-CAL® Electronic Callipers with «capa μ system»®



New «capa μ system» - That's TESA's patented measuring system.

Electronics of the latest generation – High functional reliability – High quality construction – Sure reading of the large digits – Ease of handling – With or without RS 232 data output.



DIN 862 (Style 1AZ)



See table



0,01 mm
0.0005 in



LCD, 7 mm, No. 05.39082: 6 mm



Floating zero



Display lock for models with digital output



«ABS» and «DIFF»



mm / in conversion



≤100 mm: 20 μm
>100 mm: 30 μm



Glass scale with incremental capacitive divisions



> 2 m / s



RS 232 optocoupled, bi-directional



Hardened stainless steel



3 V lithium battery, CR 2032



≈ 2 a (≈ 2000 h / a)



Idle mode after 10 min, switch-off after 2 h, automatically.



10 °C to 40 °C



-10 °C to 60 °C



80 %, with no condensation



Protection IP40 (IEC 60529)



EN 50081-1
EN 50082-1



Suited plastic case



Identification number



Inspection report with a declaration of conformity

No	mm / in	RS 232	Wheel drive	Amm	Bmm	Cmm	g
05.30080	150 / 6	without	without	40	16	71,5	140
05.30081	150 / 6	with	without	40	16	71,5	140
05.39082*	150 / 6	without	without	40	16	71,5	140
05.30082	200 / 8	with	without	50	20	89,5	200
05.30083	200 / 8	with	with	50	20	89,5	200
05.30084	300 / 12	with	with	64	22	105,5	270

Optional Accessories

19.61000	3 V lithium battery, 190 mAh, type CR 2032.
05.60013	Depth measuring foot for callipers having a 150 mm measuring span (also see on page A-25).
47.61046	RS 232 opto-coupled cable, 2 m long (9-pin).

For ordering information on cables, see section L.

* ETALON series (not pictured) are equipped with a patented capacitive measuring system («capa μ system» excluded). They have no function «ABS/DIFF» and the max. perm. displacement speed is 1,5 m/s.