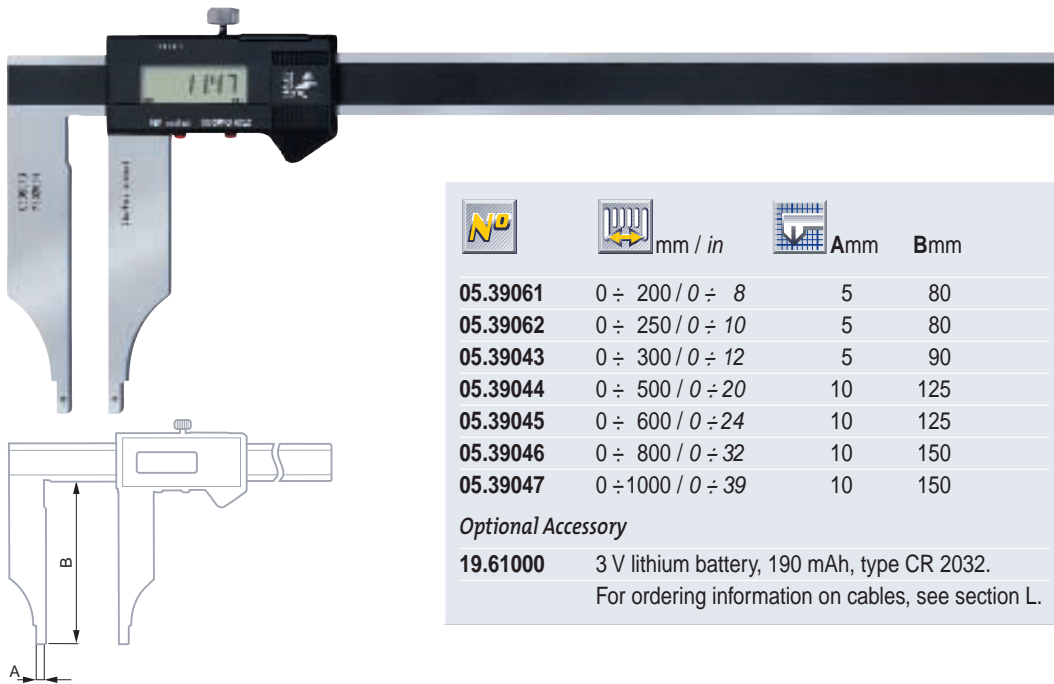


● ETALON® Electronic Callipers

Models with rounded measuring faces for internal dimensions

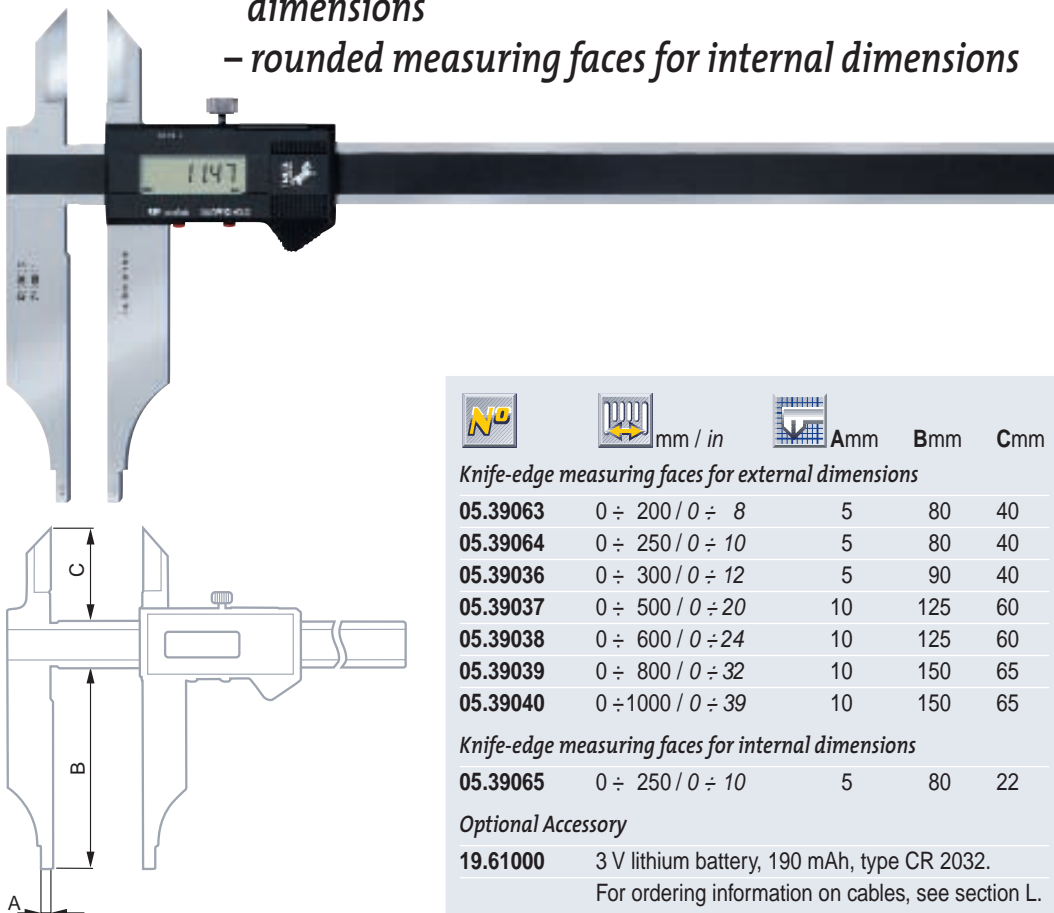


No	mm / in	Amm	Bmm
05.39061	0 ÷ 200 / 0 ÷ 8	5	80
05.39062	0 ÷ 250 / 0 ÷ 10	5	80
05.39043	0 ÷ 300 / 0 ÷ 12	5	90
05.39044	0 ÷ 500 / 0 ÷ 20	10	125
05.39045	0 ÷ 600 / 0 ÷ 24	10	125
05.39046	0 ÷ 800 / 0 ÷ 32	10	150
05.39047	0 ÷ 1000 / 0 ÷ 39	10	150

Optional Accessory

19.61000 3 V lithium battery, 190 mAh, type CR 2032.
For ordering information on cables, see section L.

Models with
 – *knife-edge measuring faces for internal or external dimensions*
 – *rounded measuring faces for internal dimensions*



No	mm / in	Amm	Bmm	Cmm
<i>Knife-edge measuring faces for external dimensions</i>				
05.39063	0 ÷ 200 / 0 ÷ 8	5	80	40
05.39064	0 ÷ 250 / 0 ÷ 10	5	80	40
05.39036	0 ÷ 300 / 0 ÷ 12	5	90	40
05.39037	0 ÷ 500 / 0 ÷ 20	10	125	60
05.39038	0 ÷ 600 / 0 ÷ 24	10	125	60
05.39039	0 ÷ 800 / 0 ÷ 32	10	150	65
05.39040	0 ÷ 1000 / 0 ÷ 39	10	150	65
<i>Knife-edge measuring faces for internal dimensions</i>				
05.39065	0 ÷ 250 / 0 ÷ 10	5	80	22

Optional Accessory

19.61000 3 V lithium battery, 190 mAh, type CR 2032.
For ordering information on cables, see section L.

- ✓
- DIN 862 (Style BZ)
- 0,01 mm
0.0005 in
- LCD, 6 mm
- Floating zero
- Display lock
- mm / in conversion
- Max. perm. error on page A-2
- Precision scale with incremental capacitive divisions
- ≤ 1,5 m / s
- RS 232 opto-coupled, bi-directional.
- Hardened stainless steel
- 3 V lithium battery, CR 2032
- ≈ 2 a
(≈ 2000 h / a)
- 5 °C to 40 °C
- EN 50081-1
EN 50082-1
- Wooden case
- Identification number
- Declaration of conformity