



DIN 862
(Style CZ)

0,01 mm
0.0005 in

mm / in
conversion

Max. perm. error
on page A-2

RS 232
opto-coupled,
bi-directional

Hardened
stainless steel

3 V lithium
battery, CR 2032

≈ 2 a
(≈ 2000 h / a)

5 °C to 40 °C

Additional
technical data
on the previous page

EN 50081-1
EN 50082-1

Wooden case

Identification
number

Declaration
of conformity



DIN 862
(Style CZ)

0,01 mm
0.0005 in

Max. perm. error
of 20 µm

RS 232
opto-coupled,
bi-directional

Hardened
stainless steel

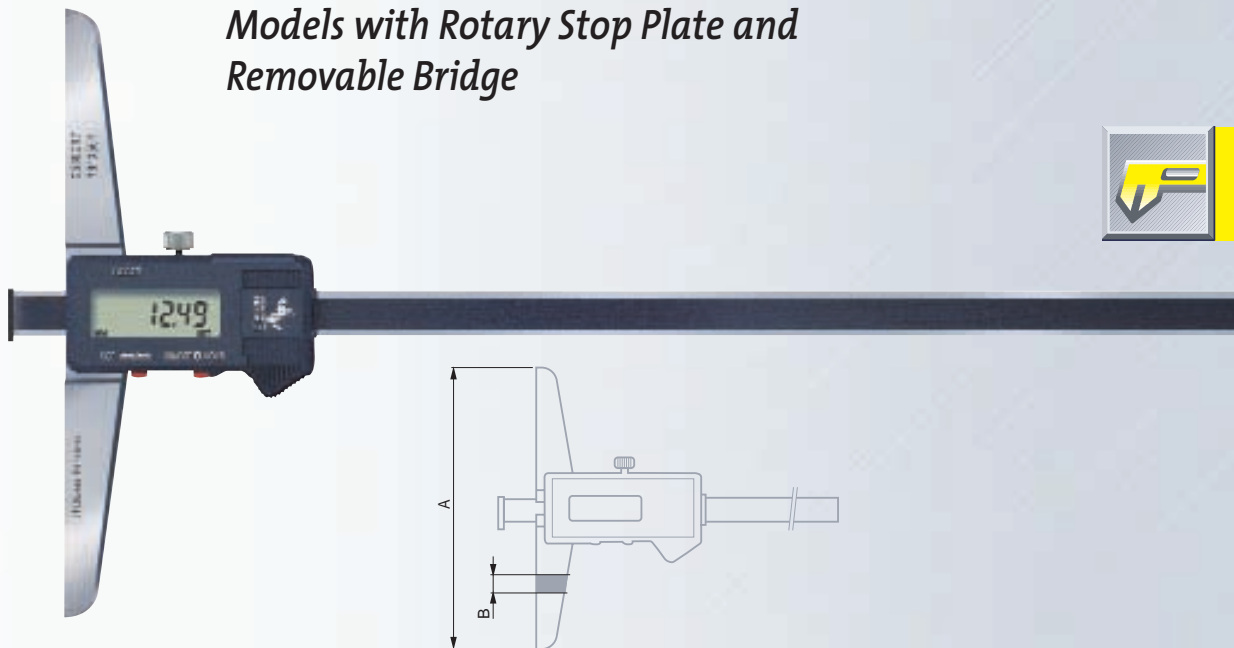
Additional
technical data
on the previous page

Wooden case

Identification
number

Declaration
of conformity

Models with Rotary Stop Plate and Removable Bridge



No	mm	in	Amm	Bmm
05.39067	0 ÷ 250	0 ÷ 10	150	8
05.39068	0 ÷ 350	0 ÷ 14	150	8
05.39069	0 ÷ 500	0 ÷ 20	150	8

Optional Accessories

05.69025	Removable bridge	300	16
05.69026	Removable bridge	400	16
19.61000	3 V lithium battery, 190 mAh, type CR 2032.		

For ordering information on cables, see section L.

Small-Sized Calliper with Measuring Tip



No	mm	in
05.39070	0 ÷ 25	0 ÷ 1

