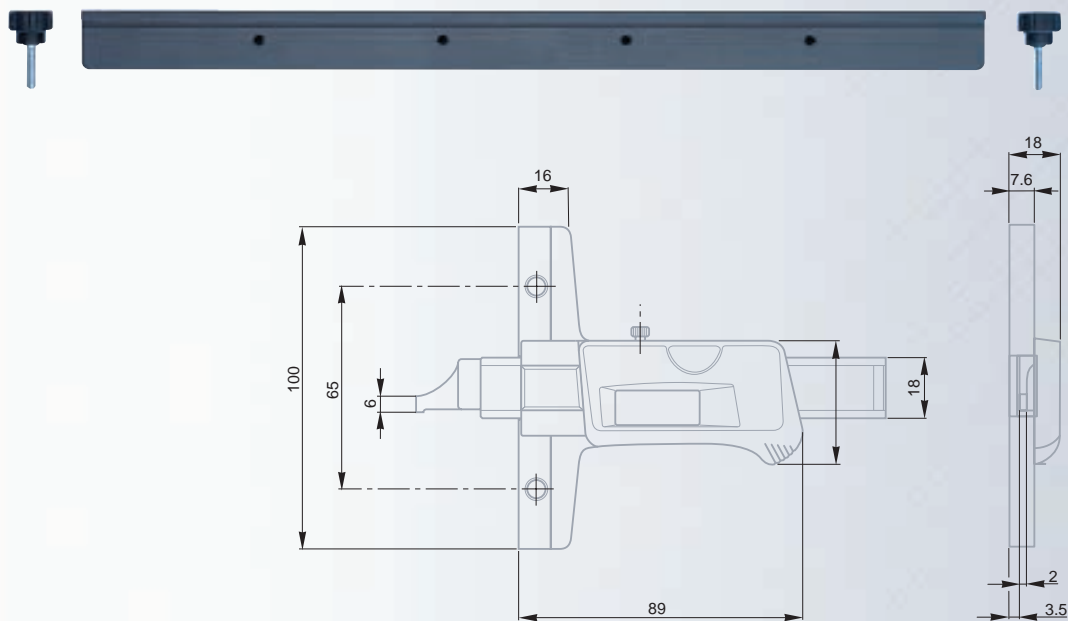
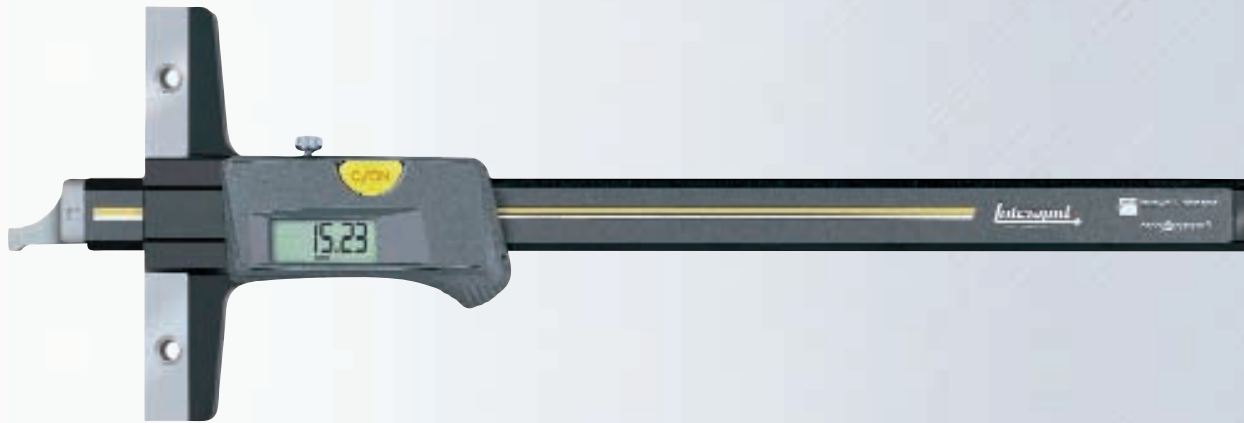


● INTERRAPID® Electronic Depth Callipers with «capa μ system®»

New «capa μ system» - That's TESA's patented measuring system.
- With removable measuring bridge.



- ✓
- DIN 862 (style CZ)
- 0,01 mm
0.0005 in
- LCD, 7 mm
- Floating zero
- mm / in conversion
- ≤100 mm: 20 μm
>100 mm: 30 μm
- Glass scale with incremental capacitive divisions
- $(8 \pm 1) \times 10^{-6} K^{-1}$
- > 2 m / s
- Beam and slider in hard-coated light alloy combined with hardened stainless steel
- Removable measuring bridge in hardened stainless steel
- 3 V lithium battery, CR 2032
- ≈ 2 a
(≈ 2000 h / a)
- Idle mode after 10 min, switch-off after 2 h, automatically
- 10 °C to 40 °C
- 10 °C to 60 °C
- 80 %, with no condensation
- Protection IP40 (IEC 60529)
- EN 50081-1
EN 50082-1
- Suited plastic case
- Identification number
- Inspection report with a declaration of conformity



05.90055	0 ÷ 200	0 ÷ 8	A
05.90058	0 ÷ 300	0 ÷ 12	A
05.90056	0 ÷ 200	0 ÷ 8	B
05.90059	0 ÷ 300	0 ÷ 12	B
05.90057	0 ÷ 200	0 ÷ 8	C
05.90060	0 ÷ 300	0 ÷ 12	C

Optional Accessories

05.60087	Removable bridge	180
05.60088	removable bridge	260
05.60089	Removable bridge	320

