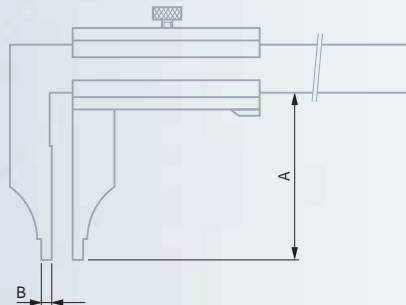
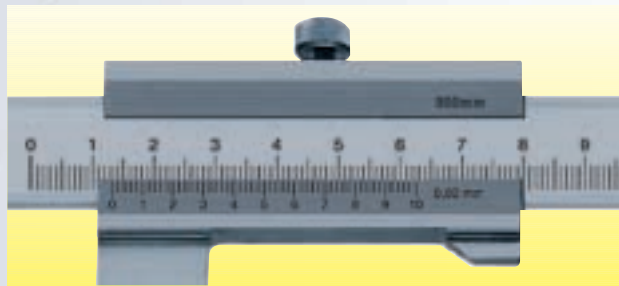


## ● ETALON® and ROCH Vernier Callipers

### Models with Rounded Measuring Faces for Internal Dimensions

– Without fine adjust device.



NO	NO	mm	mm	in	in	Amm	Bmm
75.10016	05.17509*	0 ÷ 200	0,02			80	5
75.30001		0 ÷ 200	0,02	0 ÷ 8	1/128	80	5
	05.17506	0 ÷ 200	0,05			80	5
	05.17511	0 ÷ 250	0,02			85	5
	05.17512	0 ÷ 250	0,05			85	5
75.10017	05.17521	0 ÷ 300	0,02			90	5
	05.17522	0 ÷ 300	0,05			90	5
75.30002		0 ÷ 300	0,02	0 ÷ 12	1/128	90	5
75.111990		0 ÷ 400	0,02			125	10
75.109119		0 ÷ 400	0,02	0 ÷ 15	0.001	125	10
	05.17541	0 ÷ 500	0,02			150	10
	05.17542	0 ÷ 500	0,05			150	10
	05.17551	0 ÷ 600	0,02			150	10
	05.17552	0 ÷ 600	0,05			150	10

\* Provided with stainless steel rule No. 95.1750181, 200 mm long.



DIN 862  
(style EN-2)  
NF E 11-091



Satin-chrome scale background; main scale slightly set back for wear protection



Max. perm. error on page A-2



Hardened stainless steel



Wooden case



Identification number



Declaration of conformity