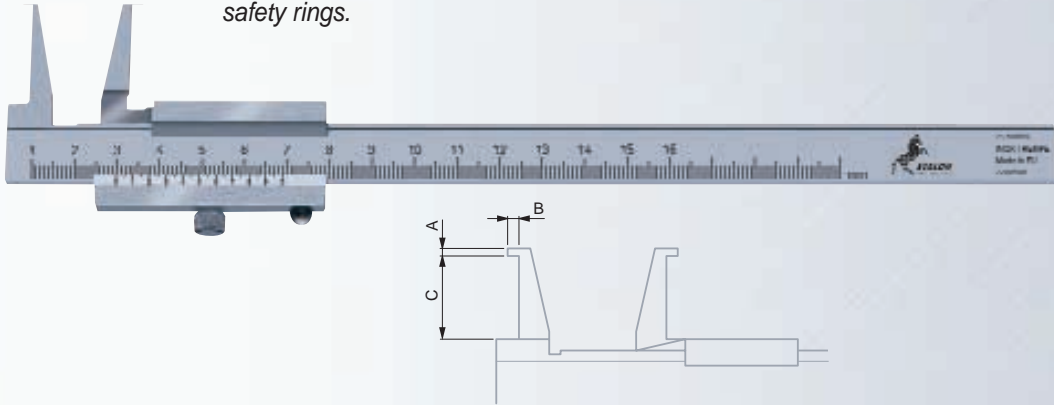


● ETALON® and ROCH Vernier Callipers for Grooves.

Specially designed for measuring groove or slot diameters, e.g. on internal safety rings.



Factory standard



Satin-chrome scale background; main scale slightly set back for wear protection



Hardened stainless steel



No. 75.10029 and 05.17371 in a plastic case. Other models in a wood case.



Identification number

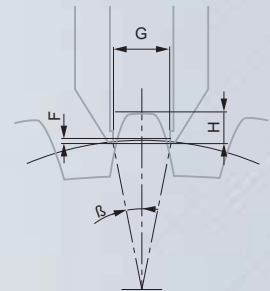
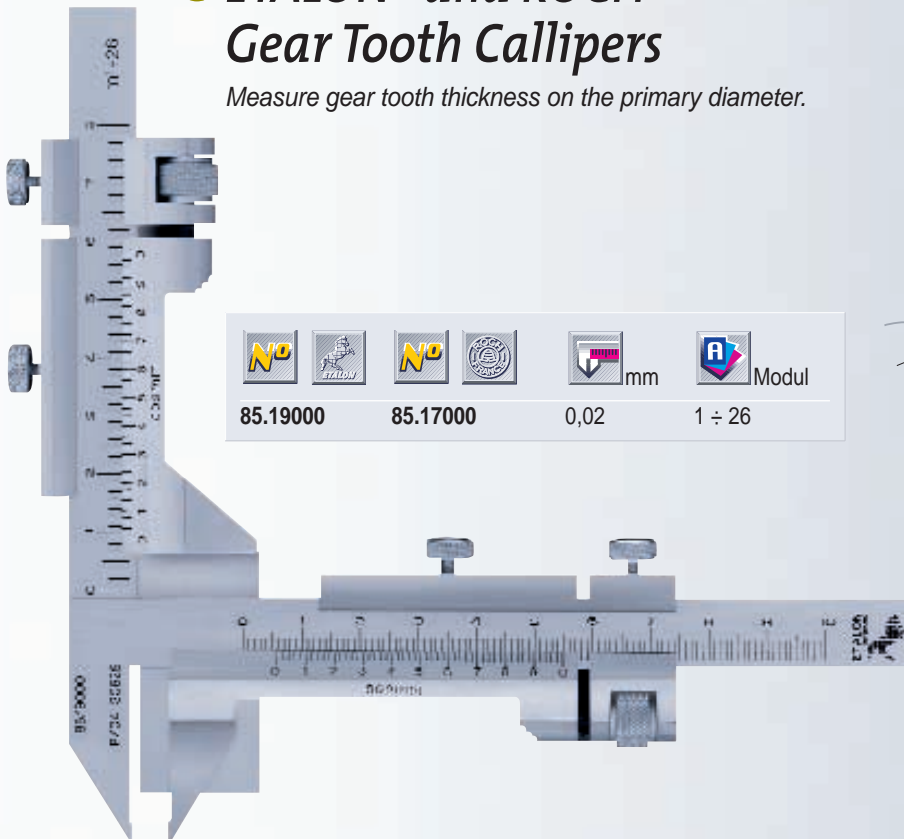


Declaration of conformity

No	No	mm	mm	Amm	Bmm	Cmm
75.10029	05.17371	9,5 ÷ 160	0,05	0,9	3	25
75.10030	05.17375	20 ÷ 160	0,05	2	5	40
	05.17383	26 ÷ 200	0,02	2	5	40
75.10031	05.17385	26 ÷ 200	0,05	3	7	60
	05.17387	55 ÷ 250	0,02	4	8,5	80
75.10032	05.17391	55 ÷ 250	0,05	4	8,5	80
	05.17393	35 ÷ 300	0,02	5	10	100
75.10033	05.17395	35 ÷ 300	0,05	5	10	100

● ETALON® and ROCH Gear Tooth Callipers

Measure gear tooth thickness on the primary diameter.



No	No	mm	Modul
85.19000	85.17000	0,02	1 ÷ 26



Factory standard



Both sliders are fitted with a fine adjust device



Hardened stainless steel. Tungsten carbide coated measuring faces.



Wooden case



Identification number



Declaration of conformity