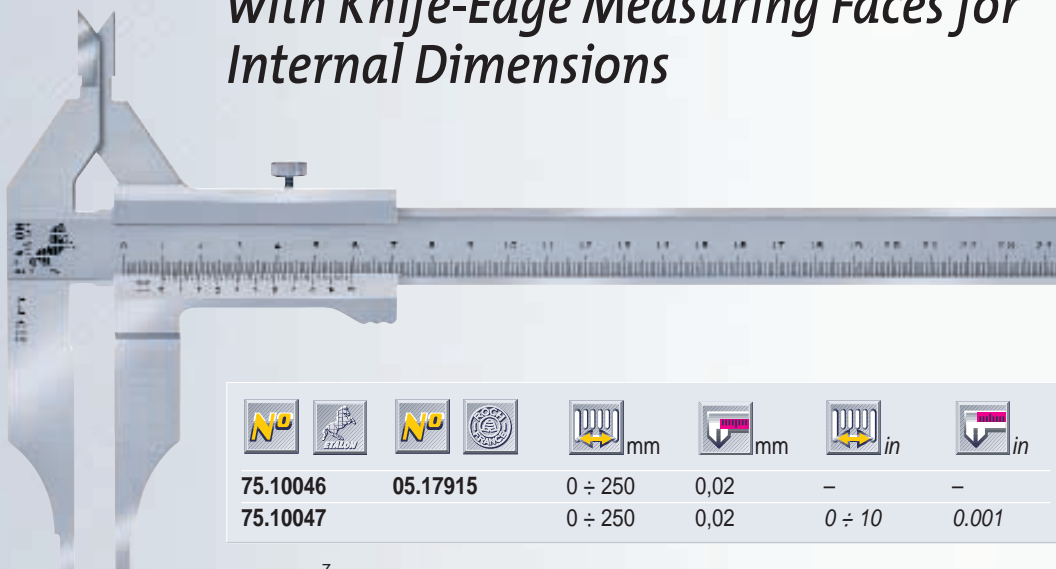
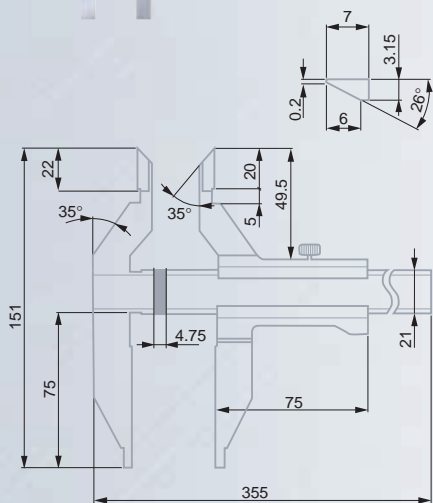


## ● ETALON® and ROCH Vernier Callipers with Knife-Edge Measuring Faces for Internal Dimensions



75.10046	05.17915	0 ÷ 250	0,02	—	—
75.10047		0 ÷ 250	0,02	0 ÷ 10	0.001



Satin-chrome scale background; main scale slightly set back for wear protection



Hardened stainless steel



Wooden case



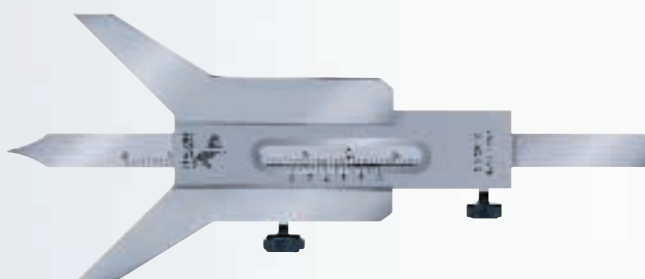
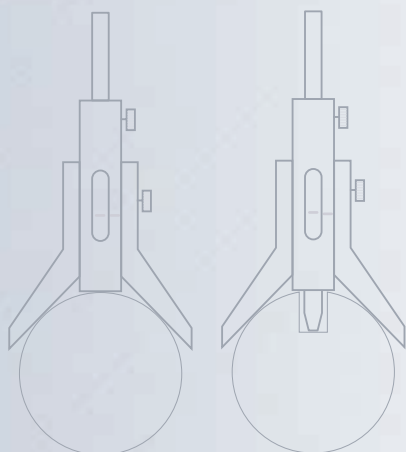
Identification number



Declaration of conformity

## ● ETALON® and ROCH Depth Callipers with Vee Bridge

Made to measure groove and slot depths on cylindrical shafts.



85.12015	05.1712015	0,05	5 ÷ 80
85.12016	05.1712016	0,05	6 ÷ 120
85.12017	05.1712017	0,05	7 ÷ 160



Hardened stainless steel



Wooden case



Identification number



Declaration of conformity