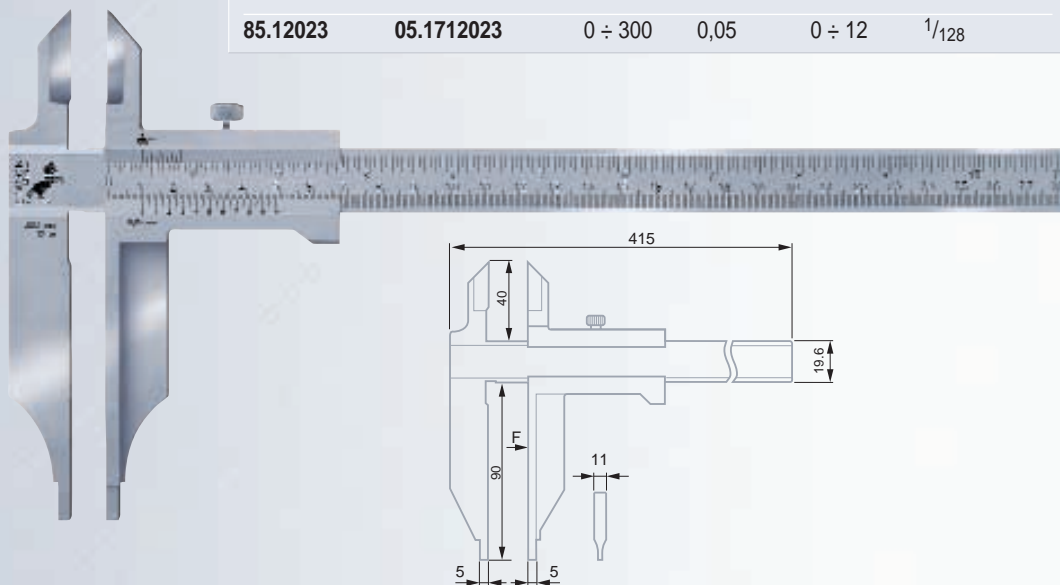


● ETALON® and ROCH Callipers for Scribing

Feature a thick mobile jaw that serves as resting surface for your scribing job – Graduated beam on back for depth measurement without vernier.



85.12023		05.1712023		0 ÷ 300	0,05	0 ÷ 12	1/128



Satin-chrome scale background; main scale slightly set back for wear protection



Hardened stainless steel



Wooden case

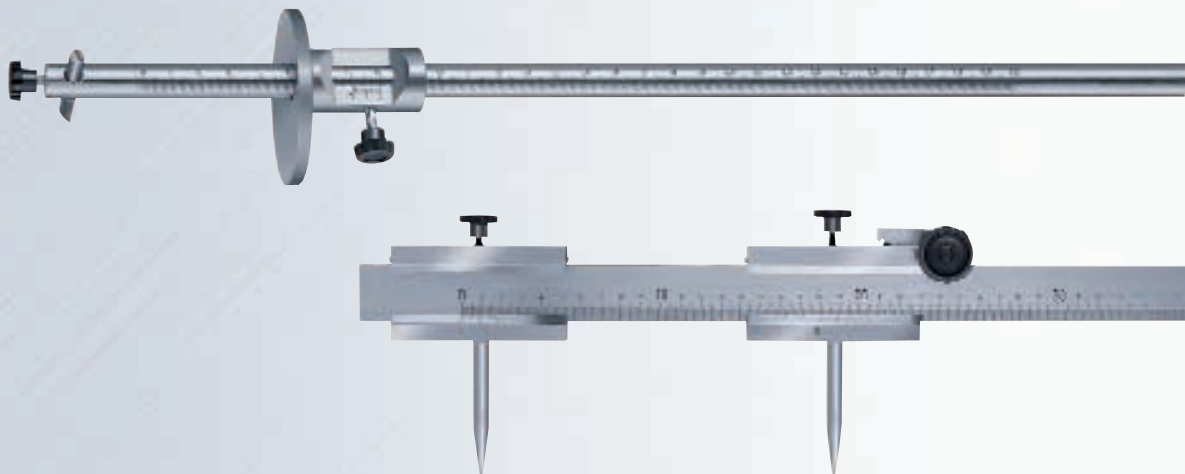


Identification number



Declaration of conformity

● ROCH Callipers for Scribing



<i>Model with a stop plate on the slider as well as a tip scriber</i>			
05.1712021	0 ÷ 300	0,1	round section
<i>Models with 2 discs for use as calliper compasses. Fitted with 2 interchangeable points.</i>			
95.1752291	0 ÷ 500	0,1	25 x 5
95.1752292	0 ÷ 1000	0,1	30 x 6
95.1752293	0 ÷ 1500	0,1	32 x 7
95.1752294	0 ÷ 2000	0,1	40 x 8



Factory standard



Callipers No. 95.1752291 up to 95.1752294 with wheel drive on the right slider



Steel tip scriber, hardened



Transport packing



Calliper No. 05.1712021 with identification number



Declaration of conformity