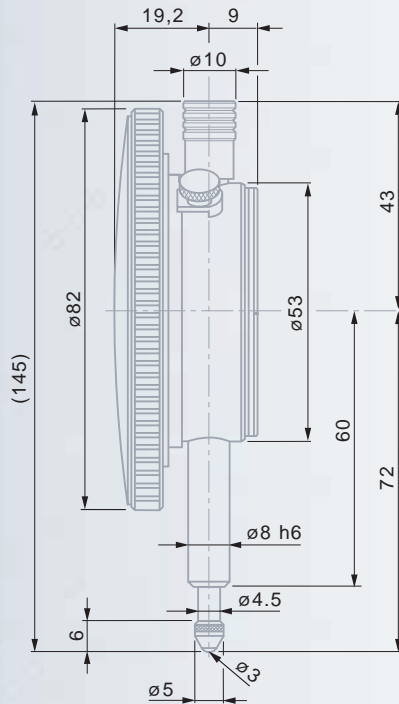


TESA® YR Precision Dial Gauges 82 mm Dial Diameter, 0,001 mm Reading

Feature a precision movement based on a combined gear and level transmission – This combination similar to that of precision indicators offers full shock protection as well as very low hysteresis errors.



DIN 878
NF E 11-050
ISO/R 463



0,001 mm



2,3 mm



Rotating dial



Full-metal case housing

Fixing shank and plunger in hardened stainless steel



High performance shockproof system in both directions



M2,5 thread for the measuring insert



Accuracy: see table on page E-10



See table on page E-10



3 mm dia. ball tip already mounted



Cardboard box



Identification number



Inspection report with a declaration of conformity



Regular models

14.10810	0,001	1	3,3	with	0,1	0 ÷ 50 ÷ 100	can be locked
14.10811	0,001	1	3,3	with	0,1	0 ÷ 50 ÷ 0	can be locked