

ETALON® Basic Dial Gauges - 0,01 or 0,001 mm Reading - 58 mm Dial Diameter

Solid dial gauges providing good value for money.



DIN 878
NF E 11-050
ISO/R 463

0,01 mm
0,001 mm

1,5 mm

Rotating dial
that can be
locked

Full-metal
case housing

Fixing shank and plunger
in hardened stainless
steel

With
or without
shockproof system

Adjustable tol-
erance markers

M2,5 thread for the
measuring inserts

Accuracy:
see table
opposite

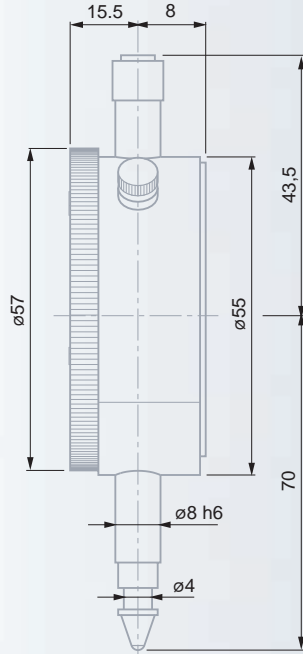
See table
opposite

Mounted insert
with a 3 mm
diameter steel ball tip

Plastic case

Identification
number

Inspection
report with a
declaration of conformity



14.19045	0,01	5	with	1	0 ÷ 50 ÷ 100	can be locked
14.19046	0,01	10	with	1	0 ÷ 50 ÷ 100	can be locked
14.19044	0,001	1	with	0,1	0 ÷ 50 ÷ 100	can be locked
Accessory						
14.69004	Central lock back					

0,01 mm 0,001 mm

	Deviation span	15 µm	5 µm	
	Deviation span within the local measuring span of 0,10 mm	5 µm	3 µm	
	Total deviation span	17 µm	6 µm	
	Repeatability limit	3 µm	1,5 µm	
	Max. hysteresis	3 µm	2,5 µm	
	Measuring force	lower limit	0,3 N	0,3 N
		upper limit	1,5 N	1,5 N
	Force hysteresis	0,5 N	0,5 N	

